

Impaq Contact-W

INSTALLATION INSTRUCTIONS

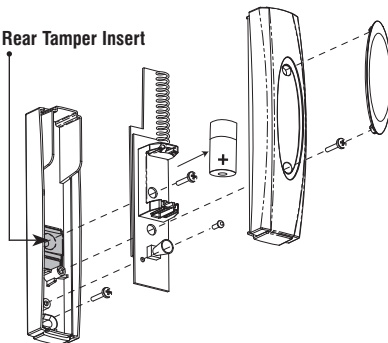
INTRODUCTION

- For wireless connectivity, detailed programming and system set-up instructions please refer to the compatible RICOCHET™ technology enabled Premier wireless expander instructions.
- Featuring RICOCHET™ wireless technology the Impaq Contact-W is designed for professional security installations.
- When using the Impaq Contact-W on an Entry/Exit route, or a 24HR door, or where chime is required, the device attributes should be left at default "Always Awake".
- Please see the Premier 8XP-W/32XP-W Installation Manual for details of how to change the device attributes.

ASSEMBLY

For rear tamper - fix both the detector AND the rear tamper insert to the mounting surface. Activation of rear tamper will damage product.

Rear Tamper Insert



Battery

Only replace with 3V Lithium CR123A.

Battery Safety

- Do not throw into a fire
- Do not heat
- Do not charge
- Do not short circuit
- Do not disassemble
- Replace only with same or equivalent type
- Always observe local regulations when disposing of a battery
- Detector will transmit low battery warning when battery needs replacing

Magnet

Non-Ferrous Mounting Material

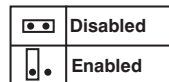
- Maximum Break = 30mm
- Minimum Make = 15mm

Ferrous Mounting Material

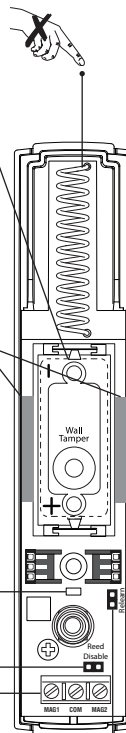
- Maximum Break = 15mm
- Minimum Make = 5mm

Note: Values depend on mounting material

Reed Disable



For wiring external wired contacts/switches



Relearn

Place jumper on Relearn pin header and insert battery to learn device.

ADDITIONAL INPUTS 1 & 2

The *Impaq Contact-W* has 2 additional inputs. These may be used for any N/C device and utilise wireless signal transmission to the receiver. Typical examples for use are:-

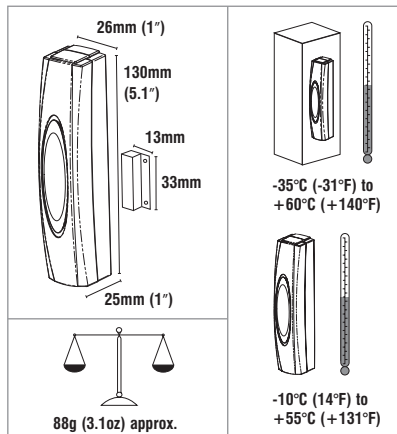
- Any locally powered device with a N/C output e.g. Smoke detectors, Glass Break detectors, Movement Sensors, Flood detectors etc.
- Any non-powered N/C device, e.g. Additional magnetic contacts, fixed PA buttons etc.
- The in-built reed switch can be disabled.
- Configuration and programming options are detailed in the *Premier* wireless expander installation manual.
- Certain features and functions are control panel software dependent.

LED STATUS INDICATION

Only available in walktest mode

(See *Premier* wireless expander instructions)

Flashing Green:	With all contacts secure, will flash every 3 seconds.
Red:	Indicates either the reed switch or external contacts are active.



STANDARDS

Alarm Systems:	EN50131-2-6, EN50131-5-3, EN50131-1, PD6662, Grade 2 Class II
EMC:	EN50130-4:1995, A1: A2 ETSI EN301 489-03 V1.4.1
R&TTE:	ETSI EN300-220 (V2.1.1)
Environmental:	EN50130-5
Frequency Band:	868.0 - 868.6 MHz / 433.05 - 434.79 MHz

WARRANTY

2 year replacement warranty (excludes battery).

The *Impaq Contact-W* is designed to detect the opening of a door/window and activate an alarm control panel. As the *Impaq Contact-W* is not a complete alarm system, but only a part thereof, Texecom cannot accept responsibility or liability for any damages whatsoever based on a claim that the *Impaq Contact-W* failed to function correctly.

Due to our policy of continuous improvement Texecom reserves the right to change specification without prior notice. All specifications are measured at 20°C (68°F).



Made In
England

HALMA GROUP
COMPANY



Impaq and the wireless logo are trade marks of Texecom Ltd. © 2010

The *Impaq Contact-W* is protected by European Registered Design. No: 269188-0001
A20110331 INS468-2